

# Sit-to-Stand Desk

Sit-to-Stand, height adjustable, mobile student desk, 22" x 28" work surface .

## Particleboard Core Work Surface (E)

Work surface is constructed of 3/4" thick 45# particleboard core surfaced with high-pressure laminate (HPL) on the top surface and a resin impregnated phenolic paper backer sheet on the underside to balance construction and minimize warping. Coordinated flat vinyl edge is secured to the perimeter of the top.

## Mechanism

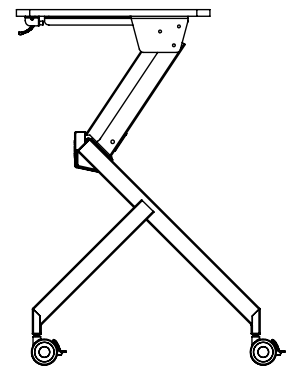
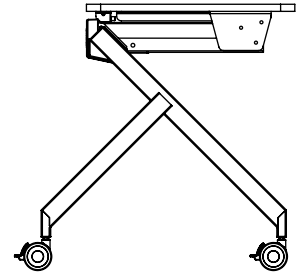
Four parallel link arms with a timing bar to control work surface lift and lower motion. Twin gas cylinders for smooth, balanced action. Single paddle actuator control, with infinity stop between 28" and 41". Adjustable height mechanism achieved through the use of four link arms following an arced motion.

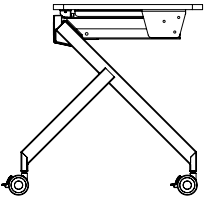
## Frame Assembly

Heavy-duty, 14-gauge, 1" x 2" laser cut steel. Frame consists of two leg sides with cross brace for full integrated support. Each leg side has two feet supported by 75mm locking casters. 1/8" steel support brackets, welded to the frame support mechanism. Mechanism is bolted to frame with four 5/16" bolts and two #10 X 1/2" bolts arranged perpendicular to the 5/16" bolts. Mechanism connects to the work surface via 10 - #10 X 3/4" wood screws.

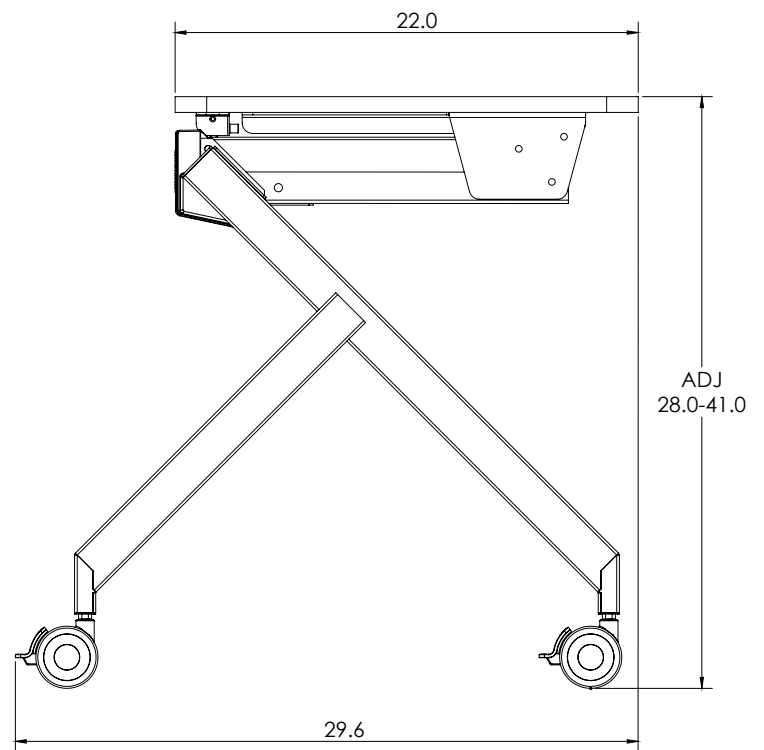
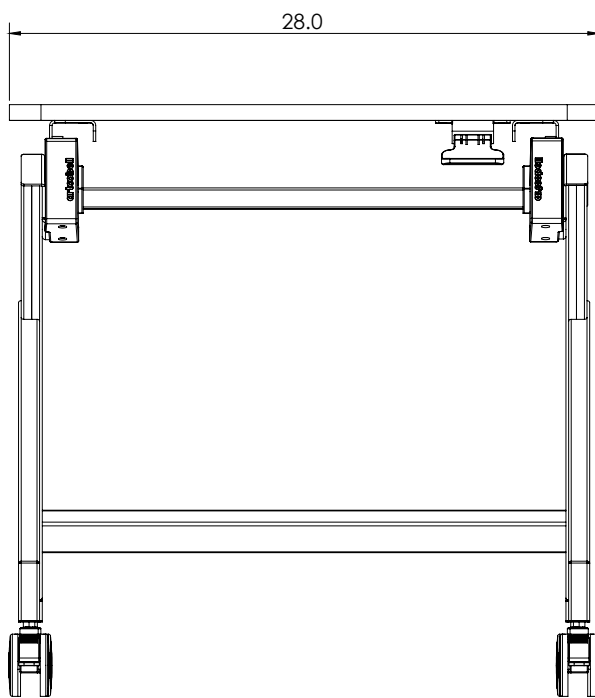
## Compliance

- > Meets or exceeds applicable ANSI/BIFMA X5.5-2008 Furniture Standards
- > Indoor Advantage™ Gold. Indoor air quality certified to SCS-EC10.3-2014





# Sit-to-Stand Adjustable Desk



MODEL	WIDTH "	LENGTH "	HEIGHT "	D.B.L.*
STS-RC2228E	22.0"	28.0"	28-41"	23.96"

### Notes

D.B.L — distance between legs